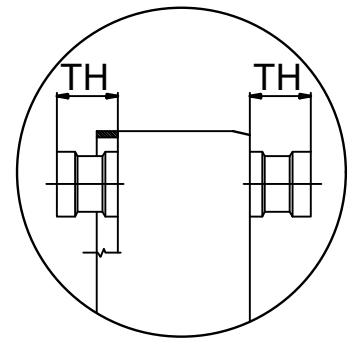
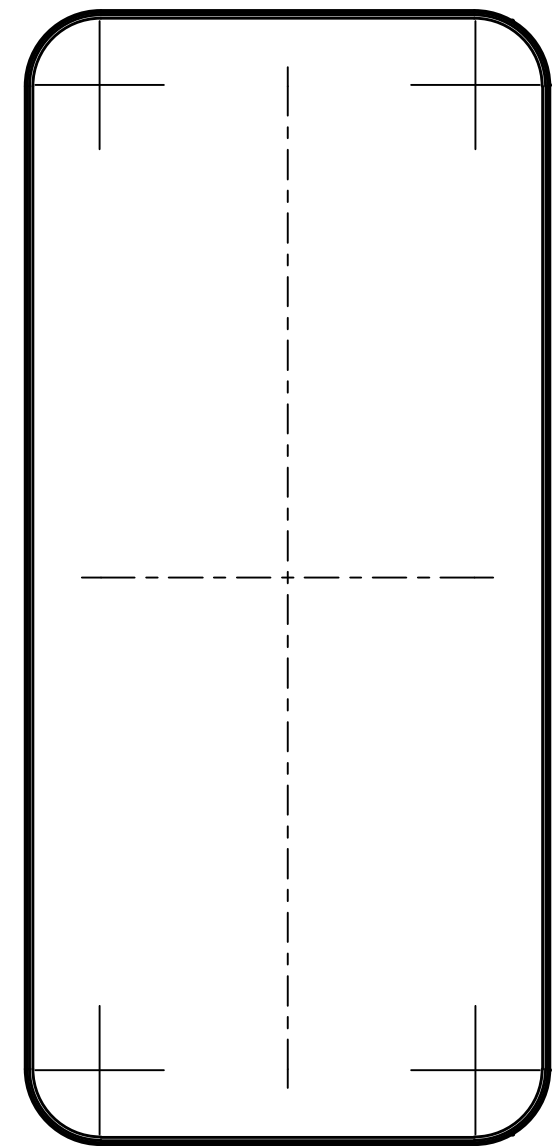
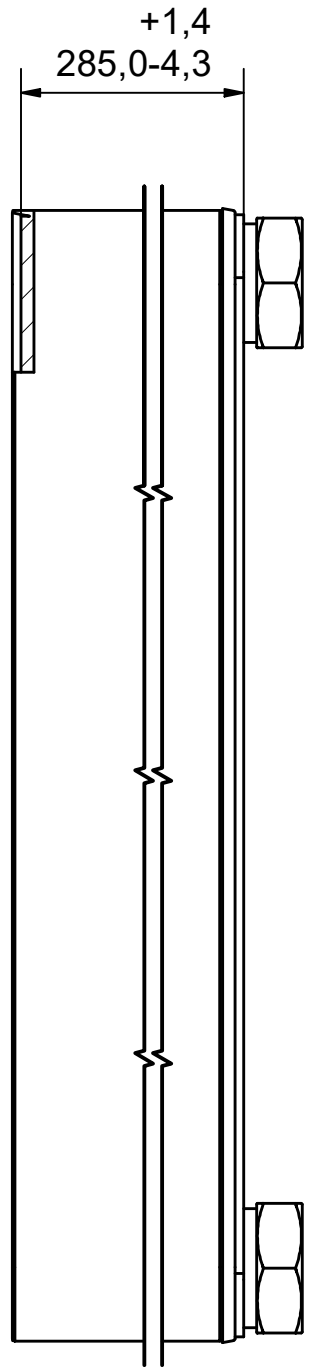



NOTE 1



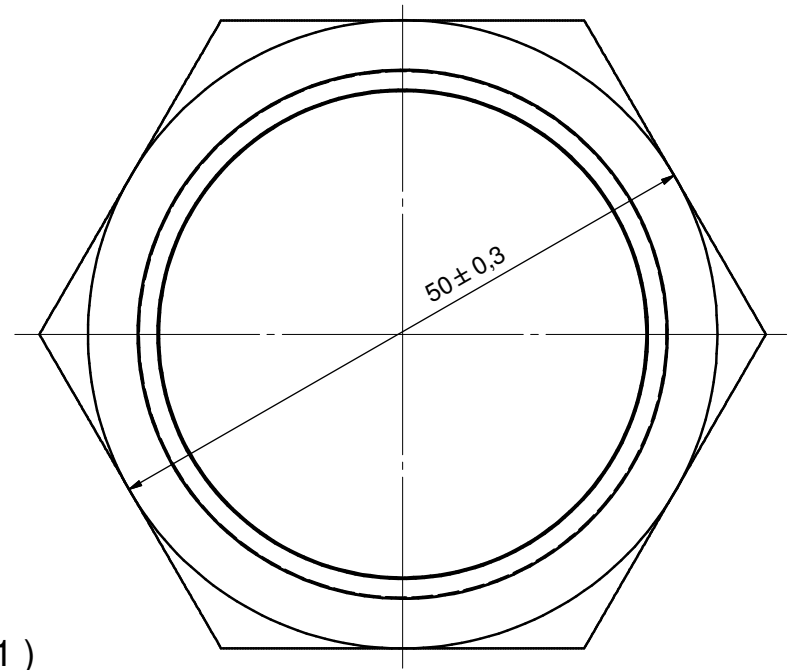
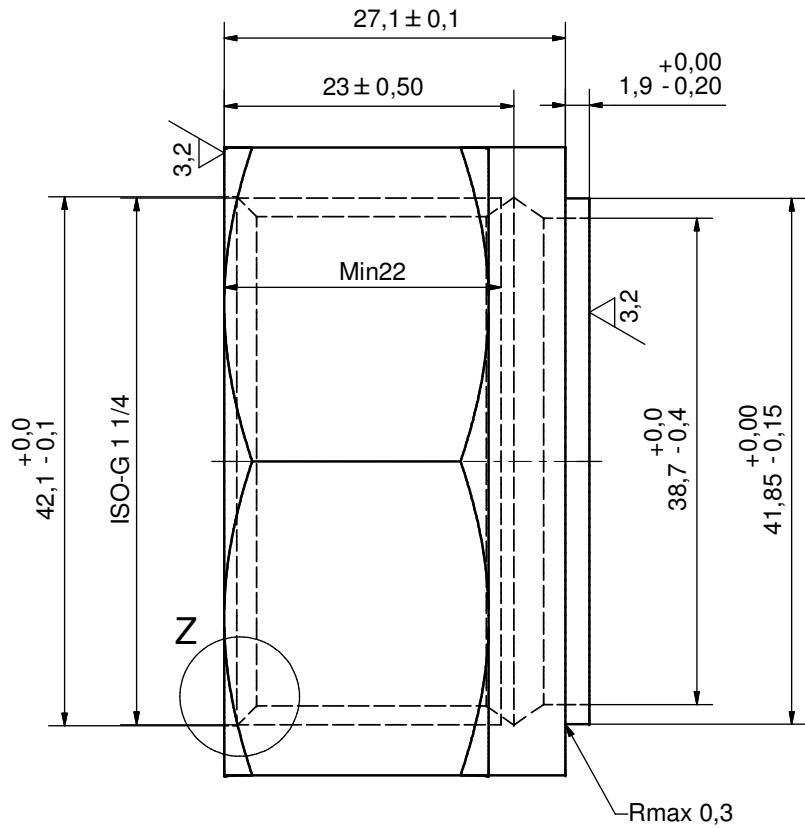
NOTE 1 ALTERNATE MARKING: STICKER OR STAMP

F4	45427	ISO-G 1 1/4" INT HEX, TH = 27,1	CD000008
F3	45405	ISO-G 1 1/2" INT HEX, TH = 27,1	CD000003
F2	45427	ISO-G 1 1/4" INT HEX, TH = 27,1	CD000008
F1	45405	ISO-G 1 1/2" INT HEX, TH = 27,1	CD000003

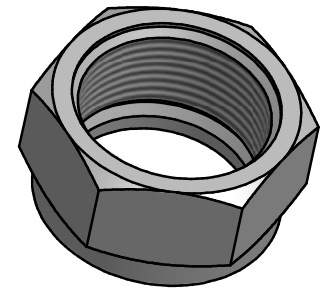
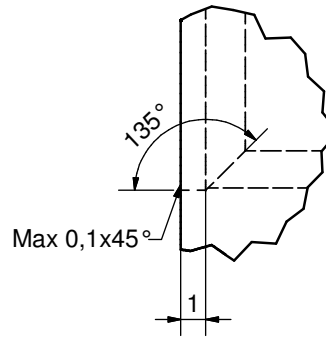
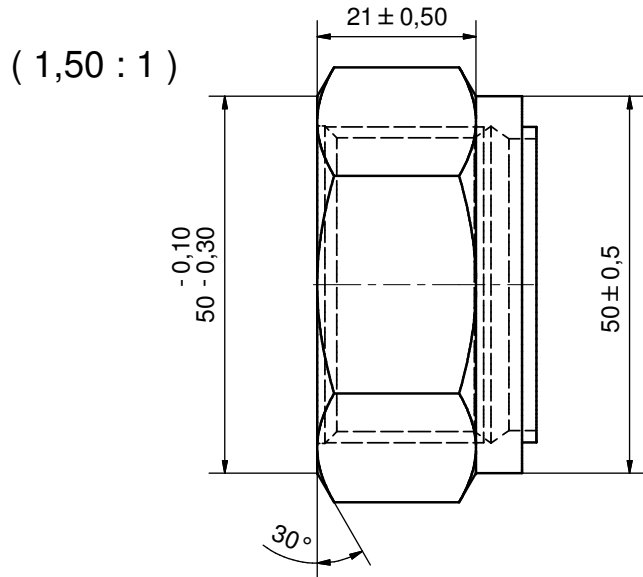
Pos	Article No	Title / Denomination, code, material, dimension etc	Drawing No./ref	Pos	Article No	Title / Denomination, code, material, dimension etc	Drawing No./ref
-----	------------	---	-----------------	-----	------------	---	-----------------

Title		B120TH/1P-SC-S		
 A DOVER COMPANY	Created Date	2025-01-04	Created By	AU
	Article/Configuration number	093429.1	Drawing number	AU00075592_093429.1

Rev No.	Alteration	Date	Checked	Approved
9	ADDED DEBURR AND MATERIAL INFO	2009/07/28	RJ	PDM



Z (5 : 1)

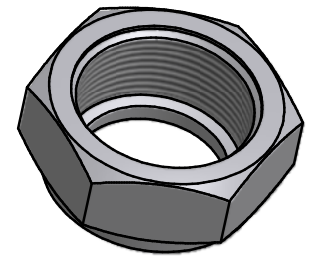
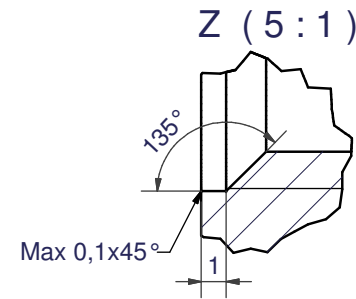
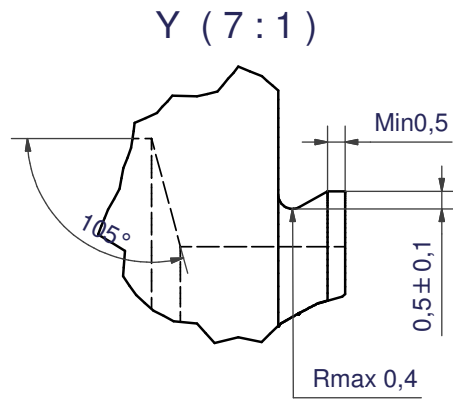
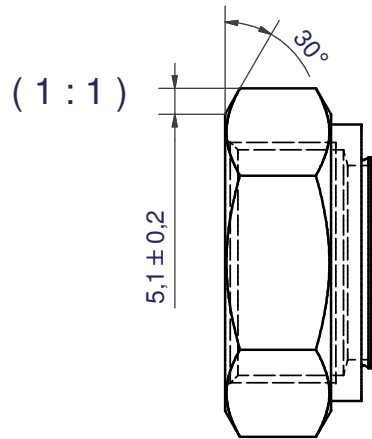
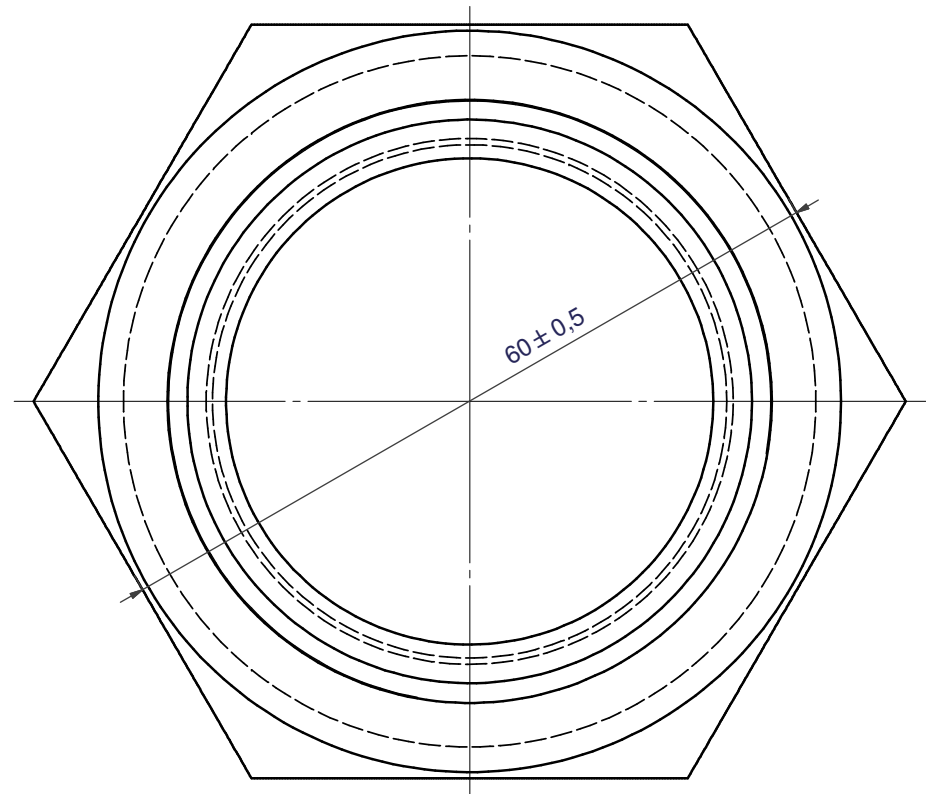
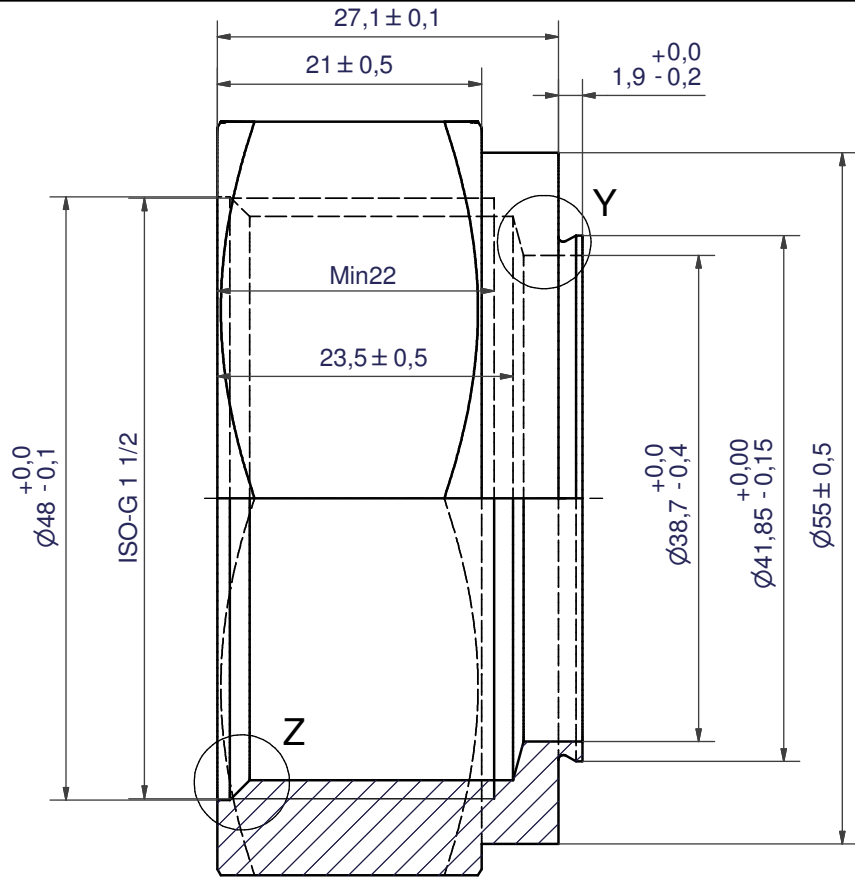


DEBURR SHARP EDGES; 0.4MAX

ACCORDING TO MQS  
MATERIAL

Drawn EG	Checked TP	Approved VP	Created Date 1992-08-21	General geometrical tolerancing ISO 2768 m	General surface finish Ra 3.2	Scale -
			Title <b>ISO-G 1 1/4" INT HEX</b>			
Article number -		Drawing number CD000008		Revision 9	Sheet 1 (1)	

Rev No.	Alteration	Date	Checked	Approved
12	Changed "G" dimension from 25 to 23.5mm	2010/09/16	SKMZP	PDM



DEBURR SHARP EDGES; 0.4MAX

ACCORDING TO MQS  
MATERIAL

Drawn	Checked	Approved	Created Date	General geometrical tolerancing ISO 2768	General surface finish $R_a$	Scale
EG	TP	VP	1992-05-05	m	3.2	-
			<b>ISO-G 1 1/2" INT HEX</b>			
Article number		Drawing number		Revision	Sheet	
-		CD000003		12	1 (1)	