

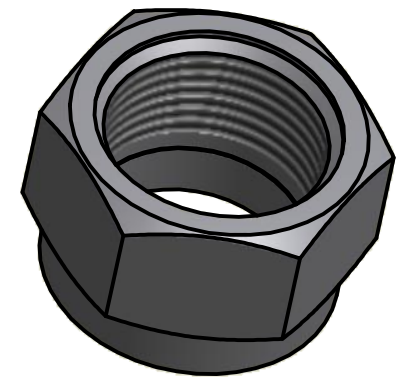
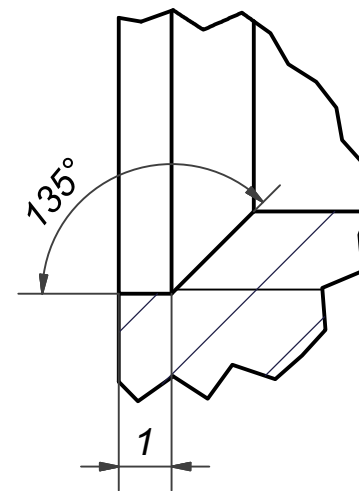
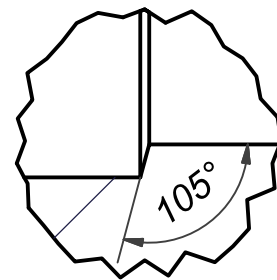
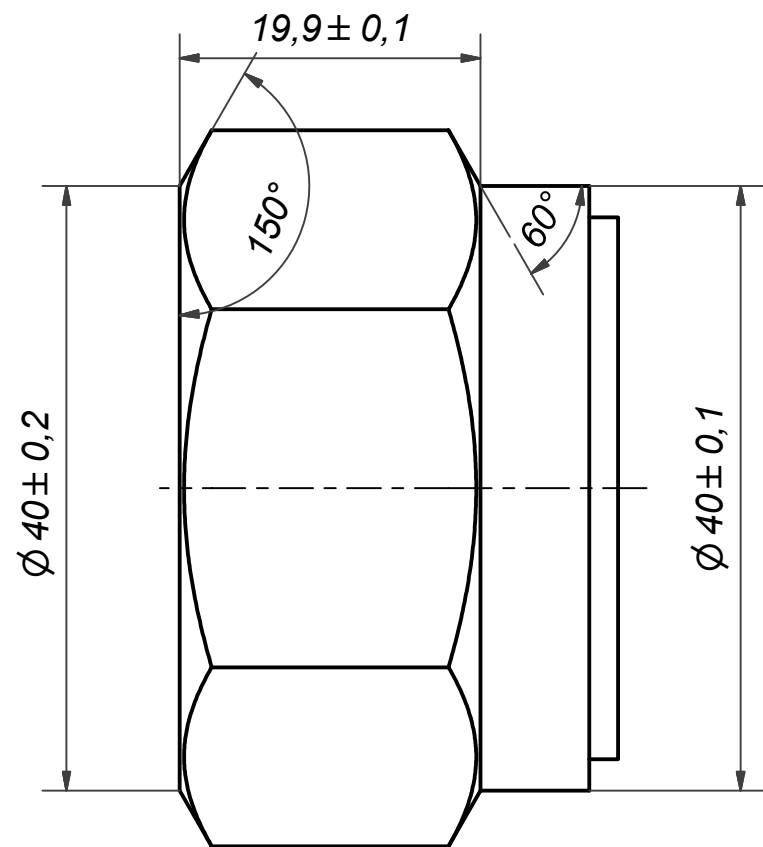
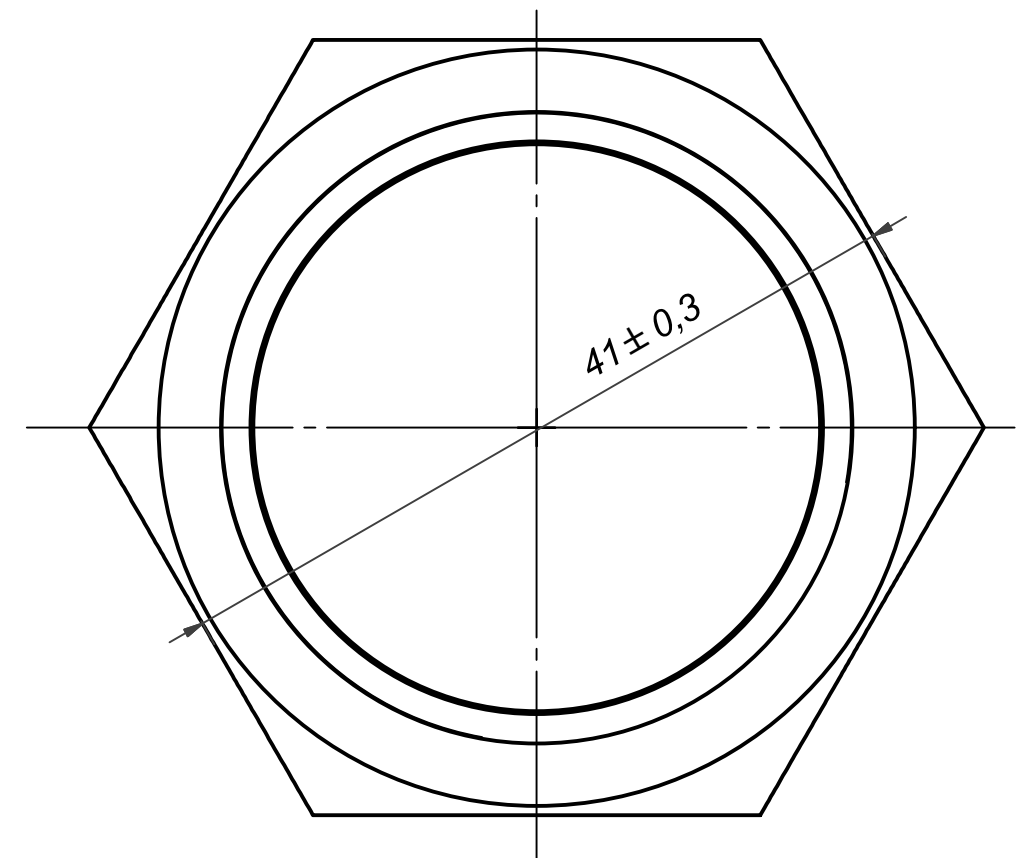
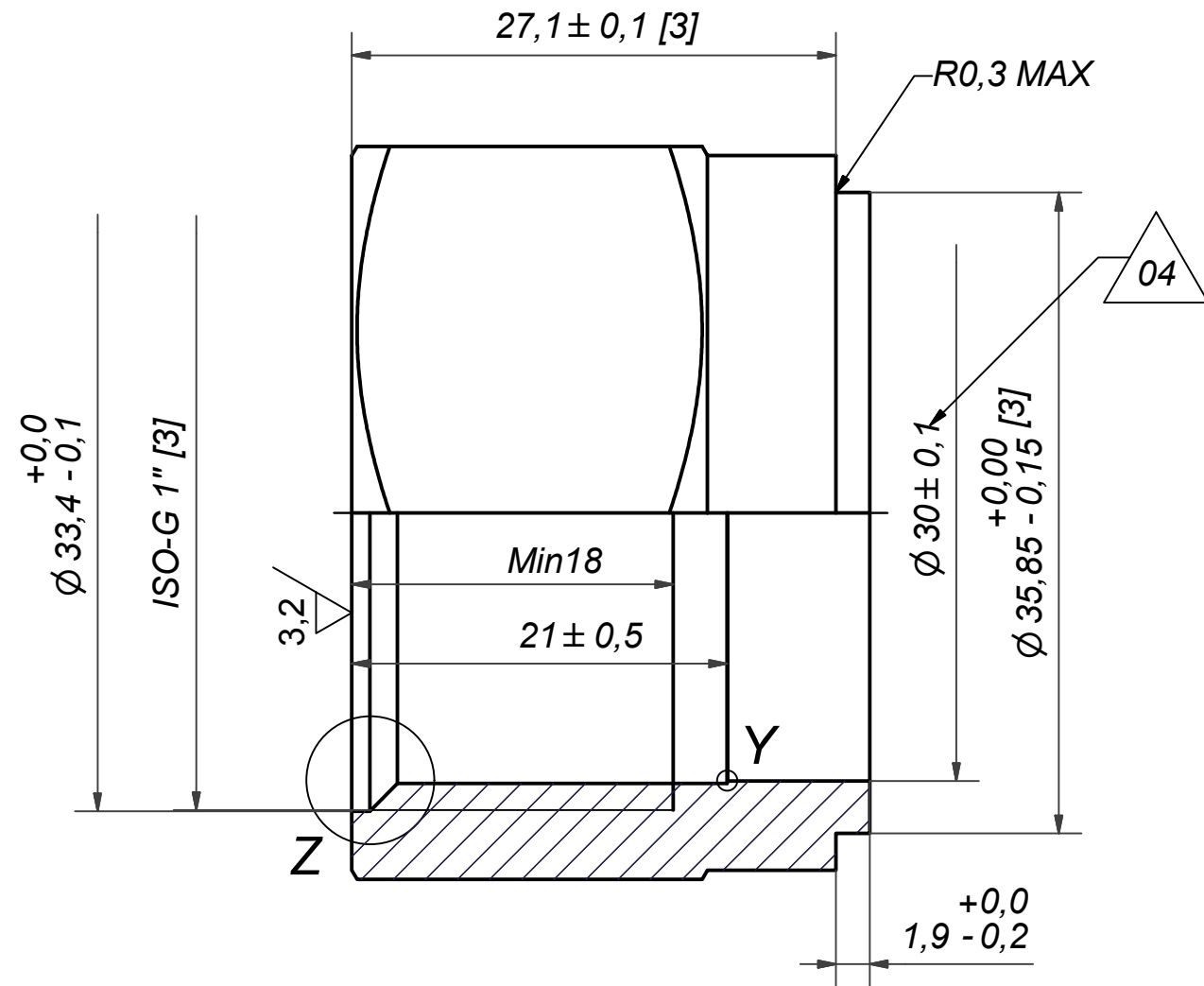
NOTE 1 ALTERNATE MARKING: STICKER OR STAMP

F4	30187	ISO-G 1" (INT-HEX), TH = 27,1	CD000458
F3	46083	ISO-G 1 1/4 INT HEX, TH = 27,1	CD000318
F2	30187	ISO-G 1" (INT-HEX), TH = 27,1	CD000458
F1	46083	ISO-G 1 1/4 INT HEX, TH = 27,1	CD000318
Pos	Article No	Title / Denomination, code, material, dimension etc	Drawing No./ref

Pos	Article No	Title / Denomination, code, material, dimension etc	Drawing No./ref
-----	------------	---	-----------------

Title		B12H/1P-SC-S	
	Created Date	2025-01-04	Created By
	Article/Configuration number	074626.0	Drawing number
			AU
			AU00075572_074626.0

Rev No	Alteration	Date	Checked	Approved
04	DESIGN CHANGE ACCORDING TO RD101158 AND ADDED MARK FOR CRITICAL CHARACTERISTICS	2014-11-17	INPKP	STA



NOTE 2: [3] - CRITICAL/SPECIAL CHARACTERISTIC TO BE FOLLOWED

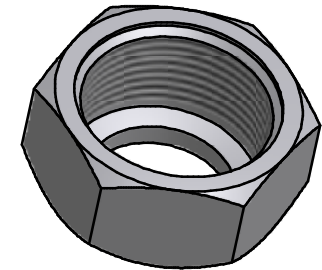
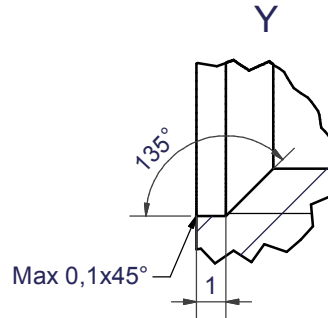
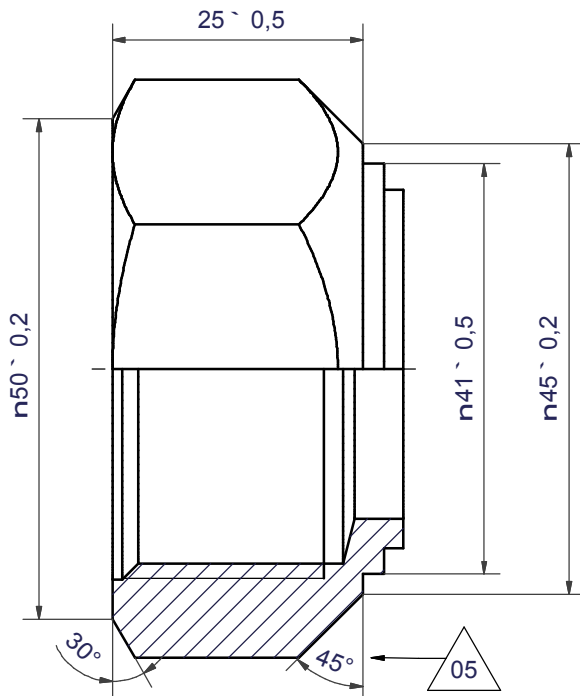
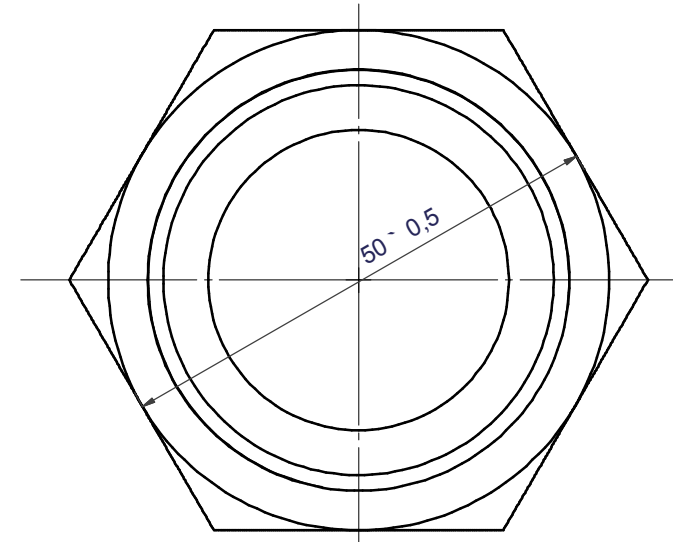
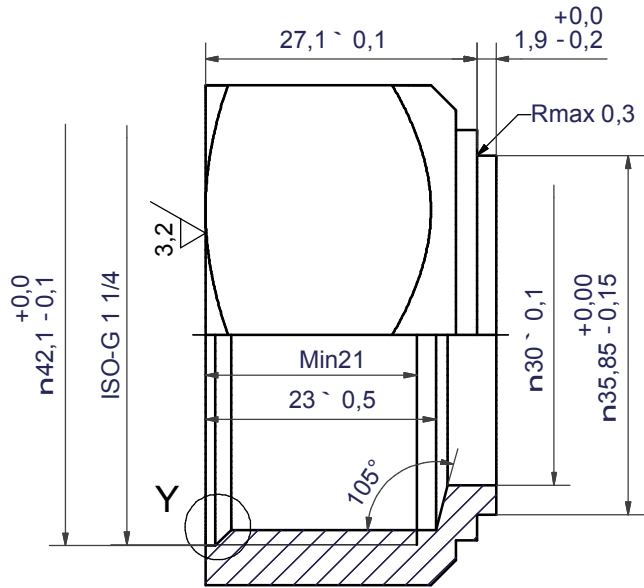
NOTE 1: DEBURR SHARP EDGES; MAX 0.4

ACCORDING TO MQS

MATERIAL


Drawn	Checked	Approved	Created Date	General geometrical tolerancing ISO 2768:	General surface finish R_a :	Scale	Paper size
laja	PNI	STA	2000-07-05	m	3.2	-	A3
			ISO-G 1" (INT-HEX)				
			Article number	Design Type	Drawing number	Revision	Sheet
			CD	CD000458	04	1 (1)	

Rev No	Alteration	Date	Checked	Approved
05	ADDED DIMENSION	23. 1. 2013	SKZE	BOS



DEBURR SHARP EDGES; MAX 0.4

ACCORDING TO MQS
MATERIAL

Drawn EG	Checked TOD	Approved BOS	Created Date 12. 2. 1997	General geometrical tolerancing ISO 2768 m	General surface finish R _a 3.2	Scale -	Paper size A3
 A DOVER COMPANY			Title ISO-G 1 1/4 INT HEX				
			Article / Tool number CD	Design Type CD	Drawing number CD000318	Revision 05	Sheet 1 (1)