

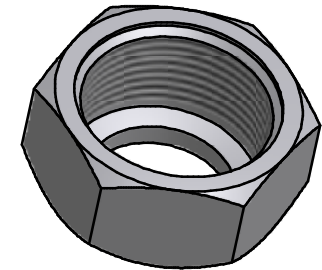
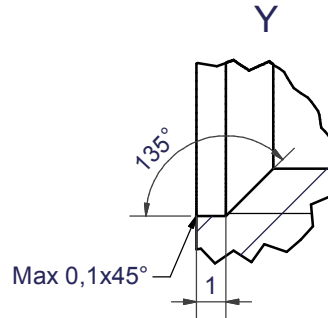
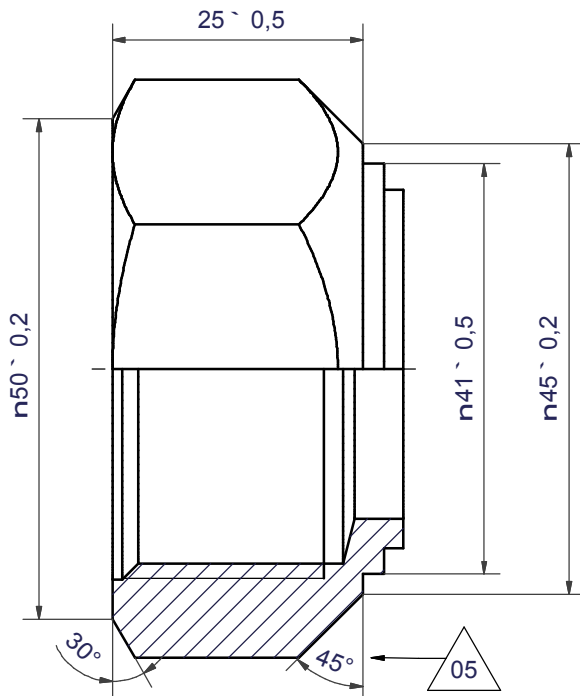
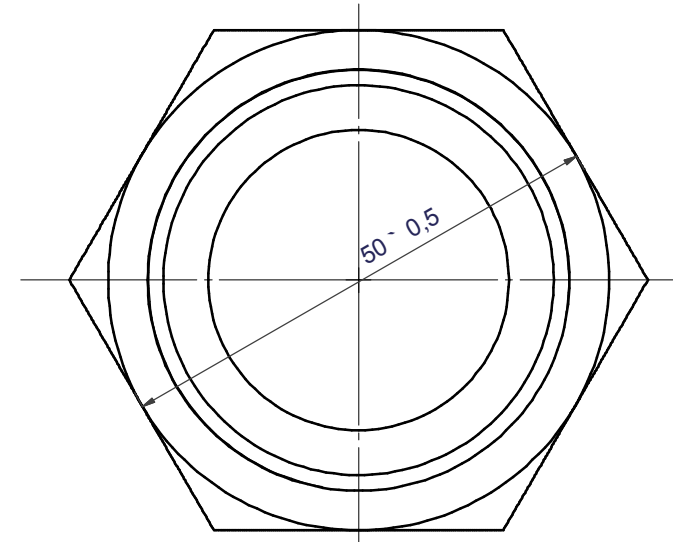
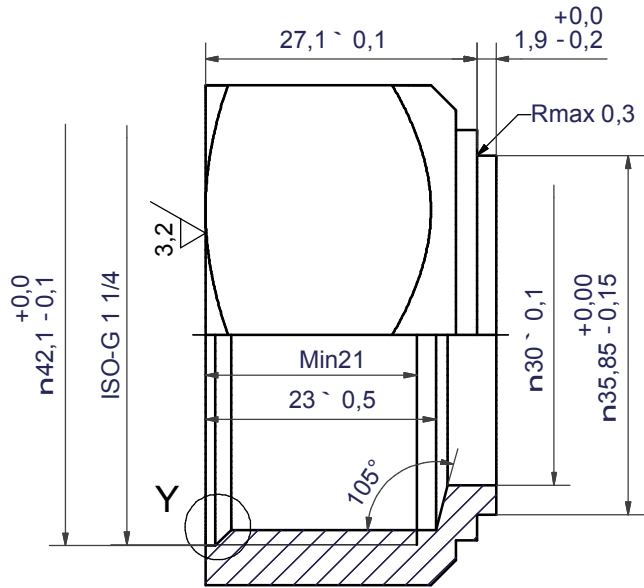
NOTE 1 ALTERNATE MARKING: STICKER OR STAMP

F4	30187	ISO-G 1" (INT-HEX), TH = 27,1	CD000458
F3	46083	ISO-G 1 1/4 INT HEX, TH = 27,1	CD000318
F2	30187	ISO-G 1" (INT-HEX), TH = 27,1	CD000458
F1	46083	ISO-G 1 1/4 INT HEX, TH = 27,1	CD000318

Pos	Article No	Title / Denomination, code, material, dimension etc	Drawing No./ref	Pos	Article No	Title / Denomination, code, material, dimension etc	Drawing No./ref
-----	------------	---	-----------------	-----	------------	---	-----------------


Title		B12H/1P-SC-S	
		Created Date	2025-01-04
		Created By	AU
Article/Configuration number		Drawing number	
074627.0		AU00075573_074627.0	

Rev No	Alteration	Date	Checked	Approved
05	ADDED DIMENSION	23. 1. 2013	SKZE	BOS



DEBURR SHARP EDGES; MAX 0.4

ACCORDING TO MQS
MATERIAL

Drawn	Checked	Approved	Created Date	General geometrical tolerancing ISO 2768	General surface finish R_a	Scale	Paper size
EG	TOD	BOS	12. 2. 1997	m	3.2	-	A3
			ISO-G 1 1/4 INT HEX				
Article / Tool number		Design Type	Drawing number	Revision	Sheet		
		CD	CD000318	05	1 (1)		