

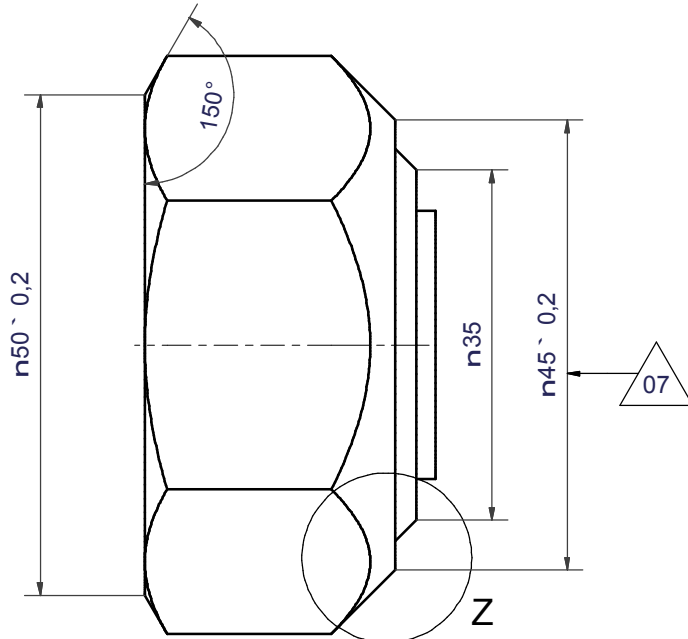
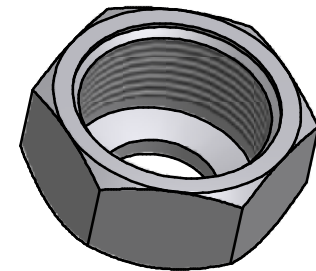
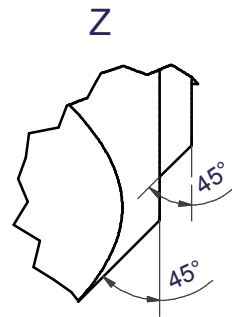
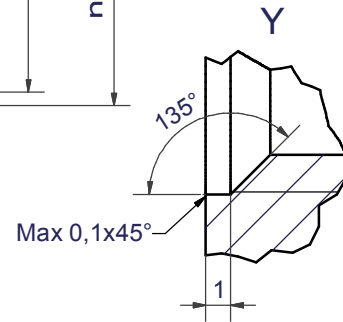
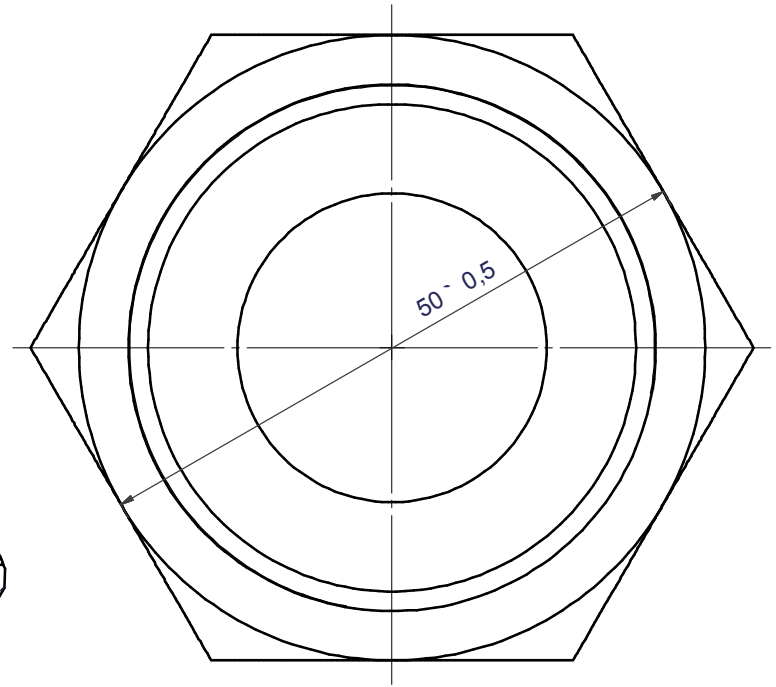
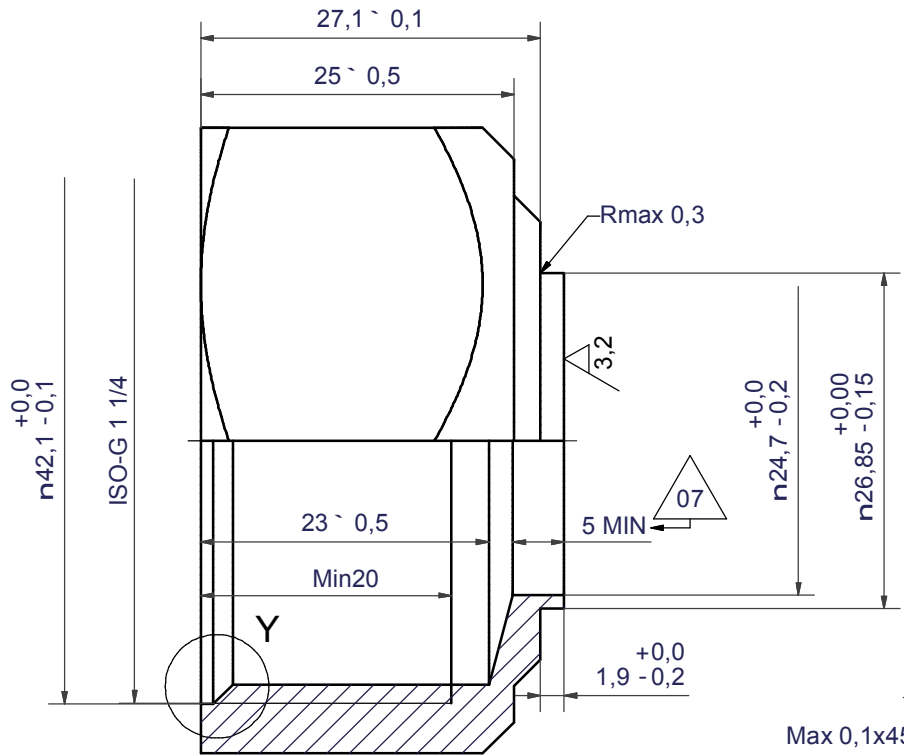
NOTE 1 ALTERNATE MARKING: STICKER OR STAMP

F4	45397	ISO-G 1 INT. HEX., TH = 27,1	CD000001
F3	45428	ISO-G 1 1/4 (INT- HEX), TH = 27,1	CD000002
F2	45397	ISO-G 1 INT. HEX., TH = 27,1	CD000001
F1	45428	ISO-G 1 1/4 (INT- HEX), TH = 27,1	CD000002
Pos	Article No	Title / Denomination, code, material, dimension etc	Drawing No./ref

Pos	Article No	Title / Denomination, code, material, dimension etc	Drawing No./ref
-----	------------	---	-----------------


Title		<b>B25TH/1P-SC-S</b>	
		Created Date	Created By
		2025-01-04	AU
Article/Configuration number		Drawing number	
085623.0		AU00075583_085623.0	

Rev No	Alteration	Date	Checked	Approved
07	ADDED DIMENSION. UPDATED TITLE.	24. 1. 2013	SKZE	VP

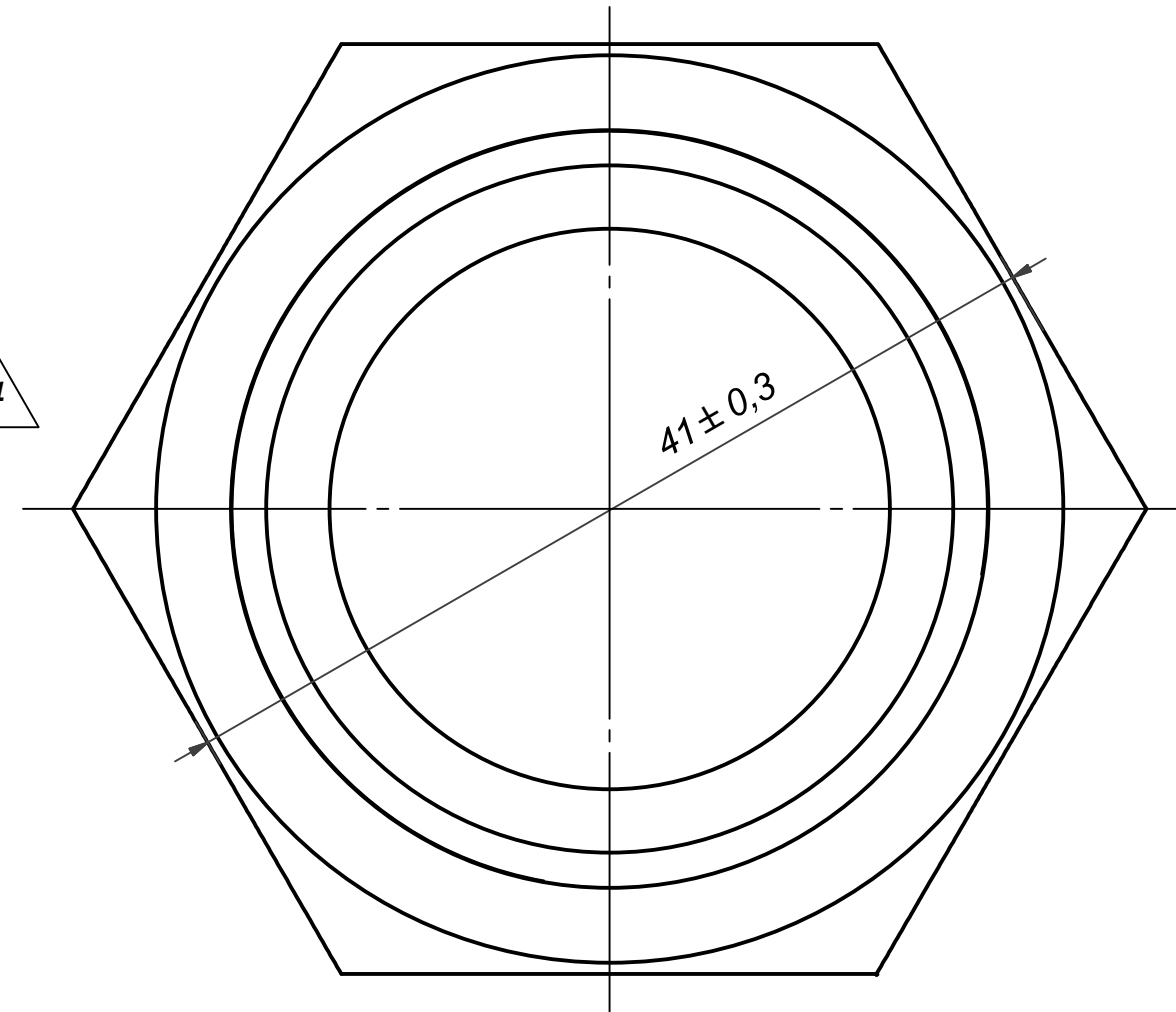
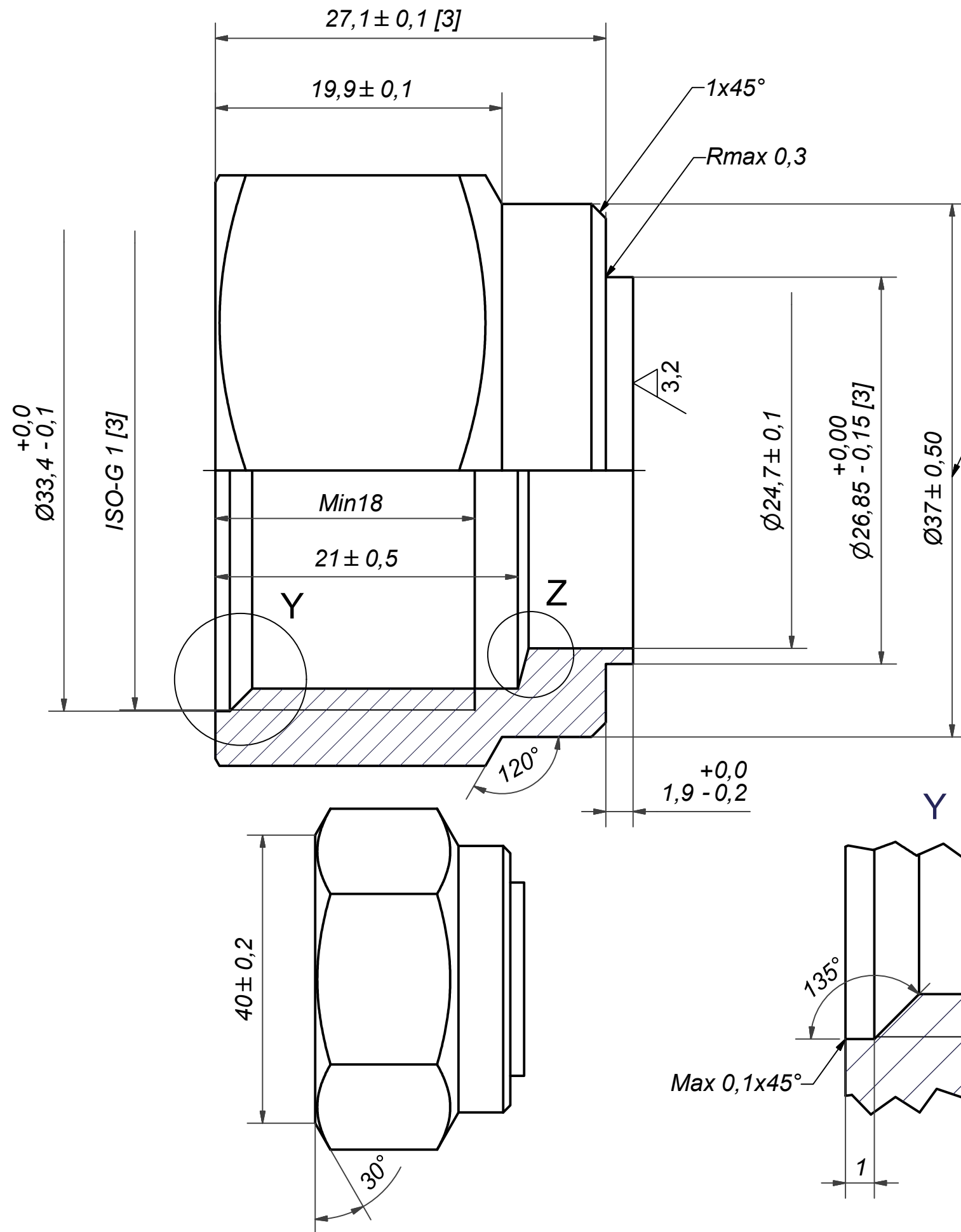


NOTE 1: DEBURR SHARP EDGES; MAX 0.4

ACCORDING TO MQS  
MATERIAL

Drawn	Checked	Approved	Created Date	General geometrical tolerancing ISO 2768	General surface finish $R_a$	Scale	Paper size
HR	TP	VP	31. 8. 1992	m	3.2	-	A3
				Title <b>ISO-G 1 1/4 (INT- HEX)</b>			
Article / Tool number		Design Type	Drawing number	Revision	Sheet		
		CD	CD000002	07	1 (1)		

Rev No	Alteration	Date	Checked	Approved
14	DIMENSION CORRECTED	2014-06-02	SKMTB	VP



**NOTE 2: DEBURR SHARP EDGES ; MAX 0,4**  
**NOTE 1:[3] - CRITICAL/SPECIAL CHARACTERISTIC TO BE FOLLOWED**

ACCORDING TO MQS  
MATERIAL

Drawn	Checked	Approved	Created Date	General geometrical tolerancing ISO 2768:	General surface finish $R_a$ :	Scale	Paper size
miguser	TP	VP	1991-11-06	m	3.2	-	A3
			Title				
			ISO-G 1 INT. HEX.				
Article number			Design Type	Drawing number	Revision	Sheet	
-			CD	CD000001	14	1 (1)	

© Company Confidential, Property of SWEP International AB