



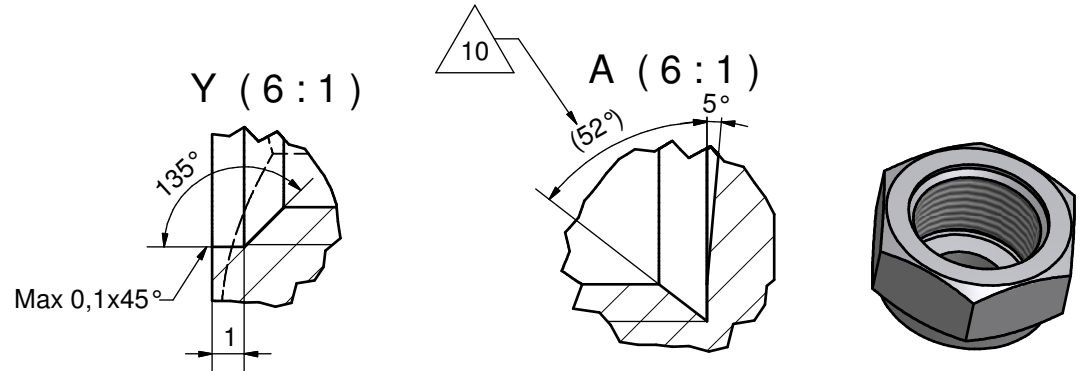
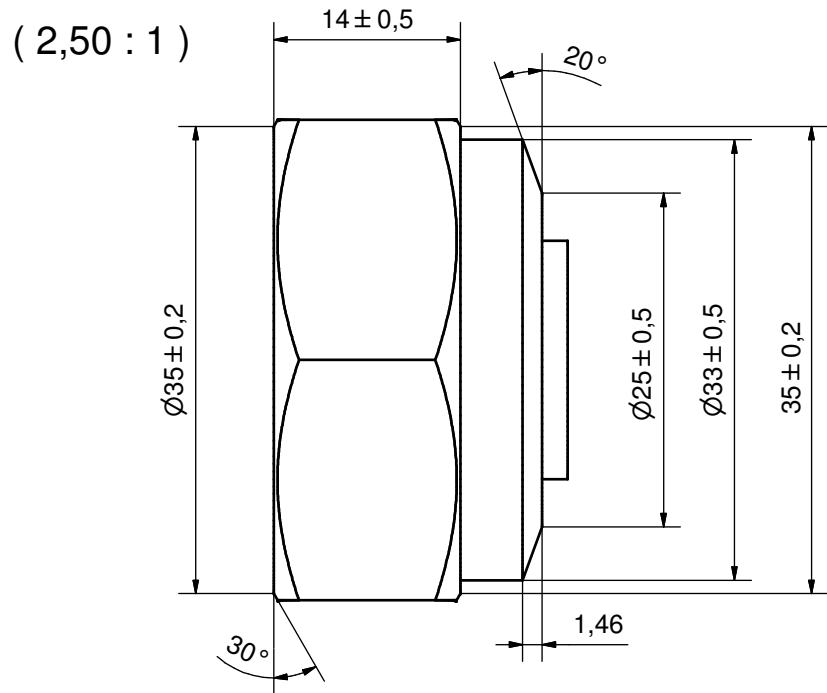
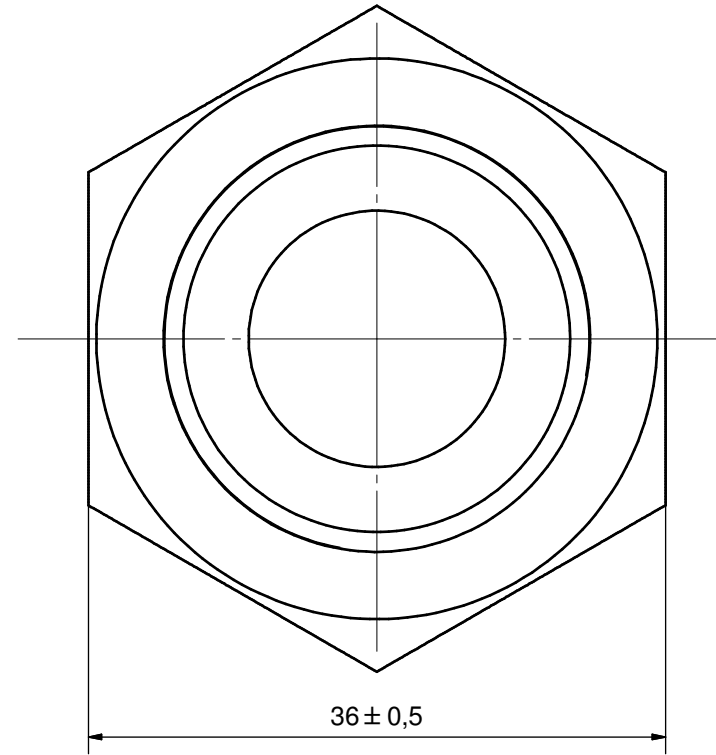
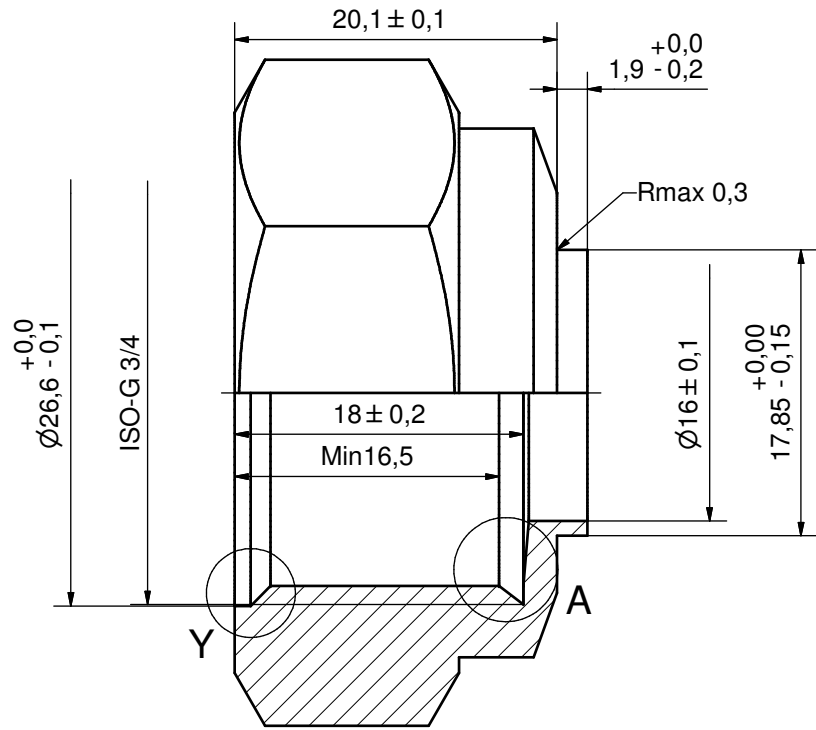
NOTE 1 ALTERNATE MARKING: STICKER OR STAMP

F4	45411	ISO-G 1/2 INT HEX, TH = 20,1	CD000005
F3	45429	ISO-G 3/4, TH = 20,1	CD000007
F2	45411	ISO-G 1/2 INT HEX, TH = 20,1	CD000005
F1	45429	ISO-G 3/4, TH = 20,1	CD000007

Pos	Article No	Title / Denomination, code, material, dimension etc	Drawing No./ref	Pos	Article No	Title / Denomination, code, material, dimension etc	Drawing No./ref
-----	------------	---	-----------------	-----	------------	---	-----------------


Title		B5TH/1P-SC-M	
 A DOVER COMPANY	Created Date	2025-01-04	Created By
	Article/Configuration number	0135438.0	Drawing number
		AU	
			
		AU00075566_0135438.0	

Rev No	Alteration	Date	Checked	Approved
10	Design Changed according to RD100928	2012-04-26	INRJ	PDM

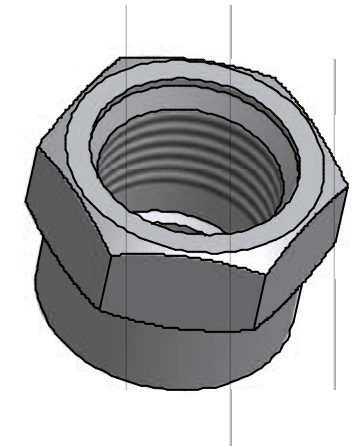
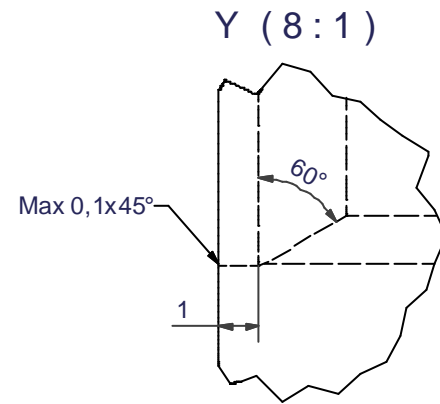
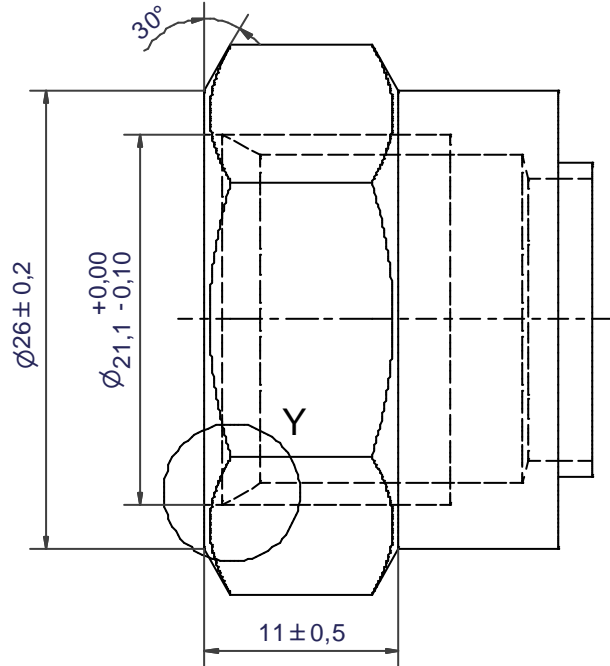
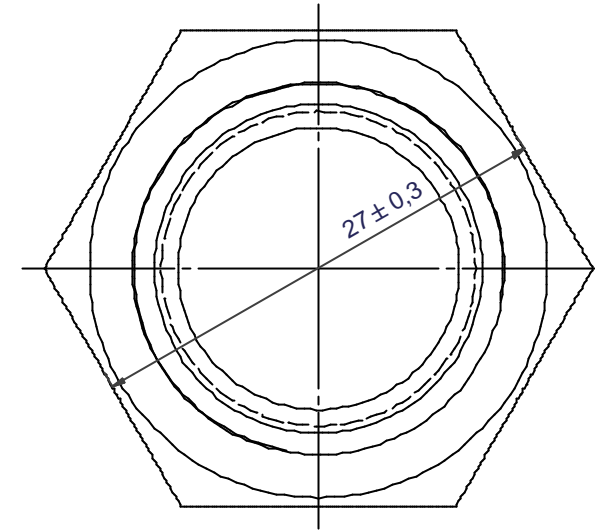
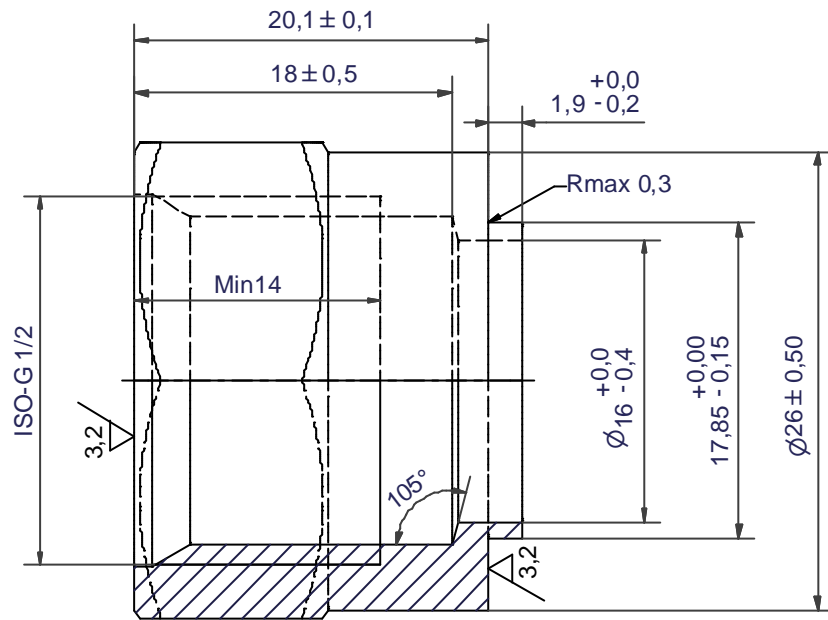


DEBURR SHARP EDGES; MAX 0.4

ACCORDING TO MQS
MATERIAL

Drawn	Checked	Approved	Created Date	General geometrical tolerancing ISO 2768	General surface finish R_a :	Scale	Paper size
HR	TP	PDM	1992-08-31	m	3.2	-	A3
			ISO-G 3/4				
Article / Tool number		Design Type	Drawing number	Revision	Sheet		
		CD	CD000007	10	1 (1)		

Rev No.	Alteration	Date	Checked	Approved
10	REDRAWN IN INVENTOR	2004/07/06	TN	PDM



Drawn HR	Checked TP	Approved VP	Created Date 1992/05/05	General geometrical tolerancing ISO 2768 m	General surface finish R_a 3,2		Scale 7:2
SUPER			ISO-G 1/2 INT HEX				
A DOVER COMPANY			Article number -	Drawing number CD000005	Revision 10	Sheet 1 (1)	